

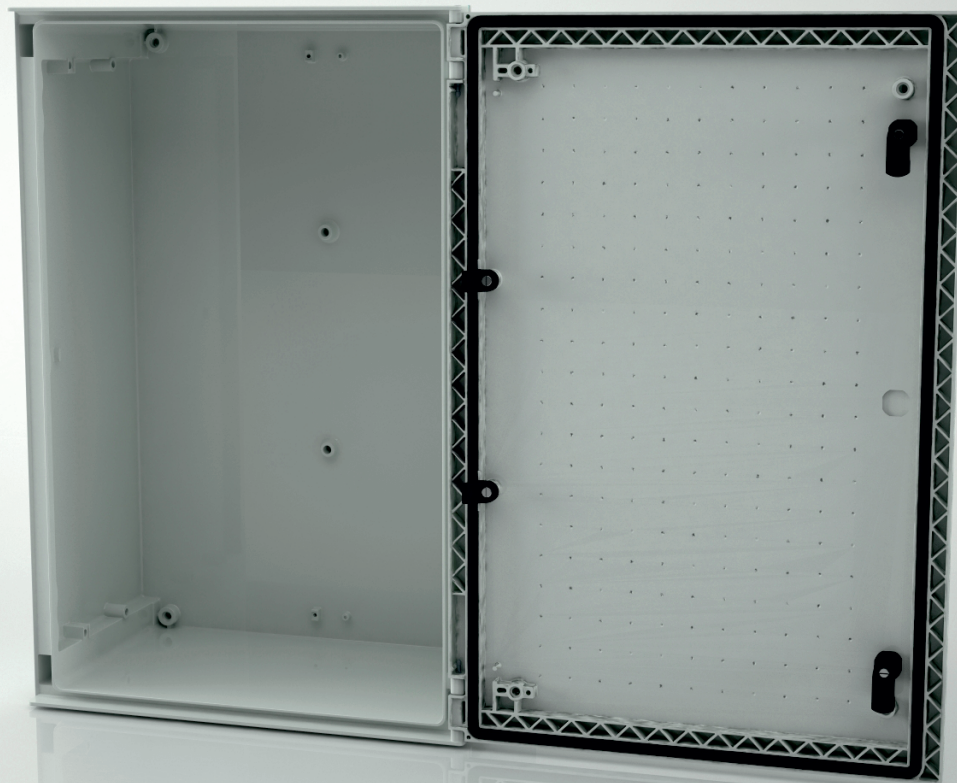


MONOBLOCK INDUSTRIAL ENCLOSURE IP66



BRES-64

Polyester enclosure 600 x 400 x 230 mm

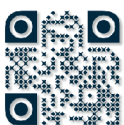


FEATURES

SafyBox BRES

- Boxes & Cabinets made from fiber glass reinforced polyester, moulded by hot compression.
- Colour Light Grey RAL 7035
- Self-extinguishability: 960° test withstanding. Halogen free. Double insulation. No electrical contact risks.
- Degree of protection Ip66 UNE 20324 (EN 60529).
- Certification of compliance with IEC62208 enclosure standard. Suitable for indoor or outdoor use.
- Large door opening (180°). Version with plain or glazed door. Reversibility for installation right or left door opening.
- Anti-intruder hinges system.
- Customise service: colour, machining, mounting accessories, locks, company logo.
- 2 lock with double-bar insert or 1 lock with 3 action points and vandalism-proof.
- Version with metallic or polyester mounting plate.
- Resistant to harsh atmospheres.
- Light weight gives an easy installation.
- 25years. Long life lasting without maintenance under standard environmental conditions.

| Code | Description | Height x Width x Depth | Weight |
|---------|---|------------------------|---------|
| BRES-64 | Empty standard enclosure colour light grey RAL 7035 | 600 x 400 x 230 mm | 7,13 kg |





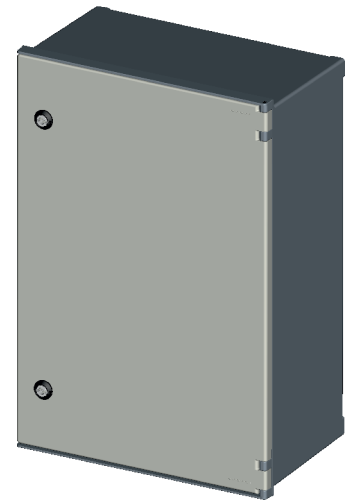
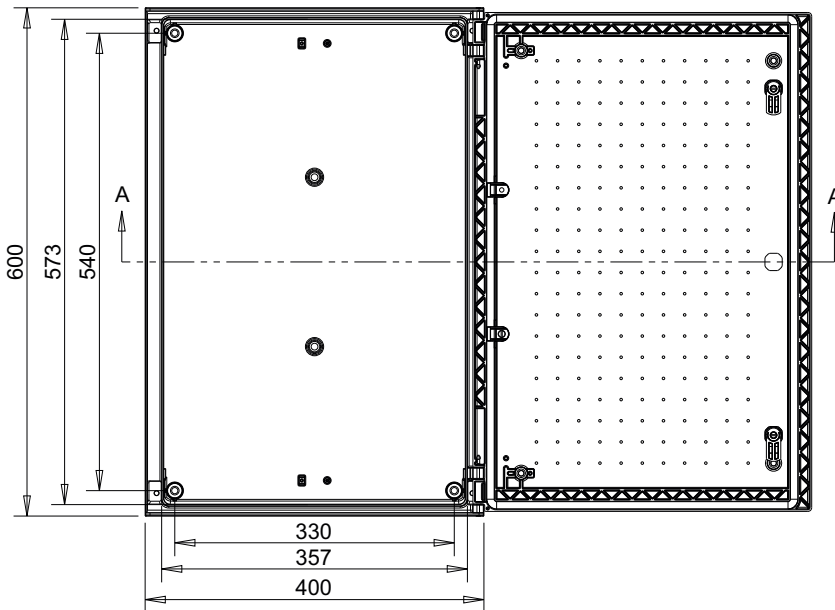
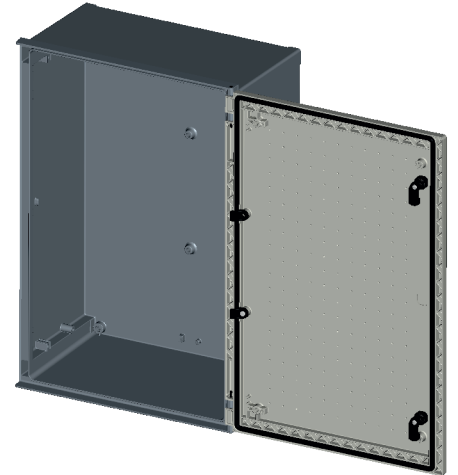
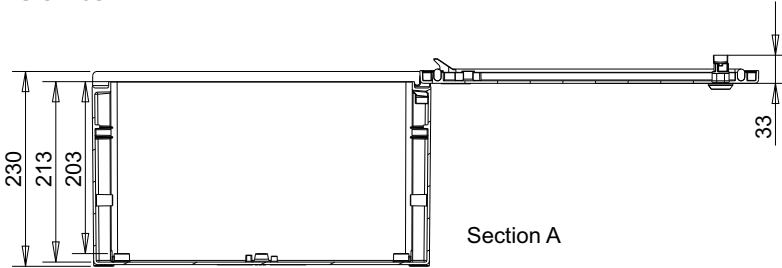
MONOBLOCK INDUSTRIAL ENCLOSURE IP66

BRES-64

Polyester enclosure 600 x 400 x 230 mm



Standard
IEC
IEC-62208



Packaging

| | | | | | |
|-----------------|---------|------------------|----------|---|----|
| packaging unit | 1 | packaging height | 601,0 mm | Units per pallet 120 x 80 cm (Height 220 cm) | 32 |
| number of doors | 1 | packaging width | 401,0 mm | Units per pallet 110 x 110 cm (Height 220 cm) | 40 |
| weight | 7,13 kg | packaging depth | 231,5 mm | Units per pallet 155 x 110 cm (Height 220 cm) | 47 |

Environmental performance

| | | | |
|------------------------|--------|---|----|
| Minimum temperature | -30 °C | IP dust water protection degree IEC-60529 | 66 |
| Maximum temperature | 120 °C | IK impact protection degree IEC-50298 | 10 |
| Compression resistance | 100 kg | | |

Electrical performance

| | |
|--|----------|
| Nominal tension direct current up to: | 1500 VdC |
| Nominal tension alternative current up to: | 1000 VaC |
| Maximum power dissipation $\Delta T=104^{\circ}F$ (wall surface) | 99,4 W |

Installation and assembly system

| | | | |
|----------------------|-----|----------------|-----|
| Inside installation | Yes | Wall surface | Yes |
| Outdoor installation | Yes | Floor mounting | Yes |
| Flush mounting | No | Pole mounting | Yes |